



PRODUCT CATALOGUE

www.colsonn.com

COLSONN PROFESSIONAL
FIREPLACE MANUFACTURER



COLSONN CO. LTD

Wechat/Facebook: colsonn

Skype: Jeannezhi

Fax:+86 0755 33234803

Web: www.colsonn.com

Add: Building 3, No.83 Liyan Street, Dalingshan Town, Dongguan City,
Guangdong Province.

Phone/WhatsApp: +86 13924590245

Tel:+86 0755 23726636

Email: sales@colsonn.com



Jeannezhi
WhatsApp



C Company introduction

Colsonn is one of the leading electronic product manufacturers in China. Originally established in 2006 in Shenzhen by two people with uniquely qualified skill sets.

Western fireplace industry, coupled with 10 years top level experience from a world class electronics manufacturer has enabled the Company to develop quickly in a region already renowned as a leading edge centre for innovation and electronic excellence.

From humble beginnings, the Company has seen rapid and continual growth necessitating a recent move to a purpose designed 50,000 sq ft facility in Dongguan, where upwards of 100 staff are now employed. Always at the forefront of the Company ethos throughout this time has been a determination to produce the highest quality products coupled with fast, reliable and honest customer service.

We believe our unique knowledge base allows us to offer not only bespoke hardware design but also customised software engineering to suit your particular project and market. We count amongst our long established customers, market leading organisations in several Countries, yet we continue to strive for improvement and evermore sophisticated products in a fast accelerating market.

Our products are quality assured at the highest level in compliance with all European and American specification and requirements. They are robustly tested and conform to all required approvals and safety standards.

We have been honoured to win the prestigious VESTA award at the 2011 HPBA show in USA, together with "Best Electric Appliance in Show" at both the 2018 and 2019 Harrogate International Fireplace Exhibitions in the UK. Since then we have not been able to support our customers at their trade shows but hope to again, as soon as we can.

In short, Colsonn aims to bring you more than you could expect from other manufacturers. Higher quality, faster development, more product diversification, latest technology, strict IP protection and top level service. In short, better value for your Company.

In the following pages you will discover some of our standard range of fires, all of which can be adapted to your requirements. However do please note that this is only an illustration of what we are able to offer as most of our work is bespoke, protected work based on customers own designs.

We welcome you to visit to see our company's future for yourself!





CERTIFICATION

FIREPLACE

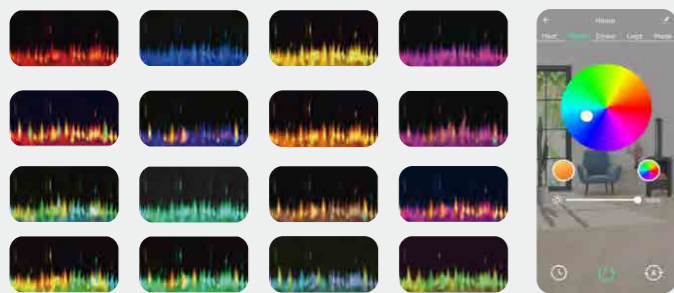


THE 01
PART FIREPLACE



CS UTF16

Intelligent Control

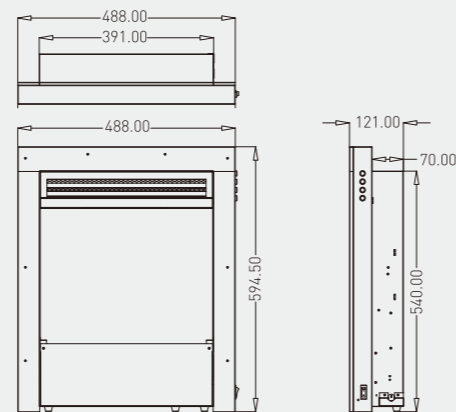


16" Insert Multicolour smart electric fireplace

Specification

- ⦿ Volts: 120/240, Wattage: 750/1500, Amps: 13
- ⦿ Product Size: W488*D121*H594.5mm
- ⦿ Safety: Thermal cut out
- ⦿ Realistic 3D flame
- ⦿ Customisable fuel bed layout
- ⦿ Crystal embers & realistic logs
- ⦿ 4 flame brightness settings
- ⦿ Multicolour
- ⦿ Adaptive control feature
- ⦿ WiFi control, remote & manual control operation

Dimensions (mm)

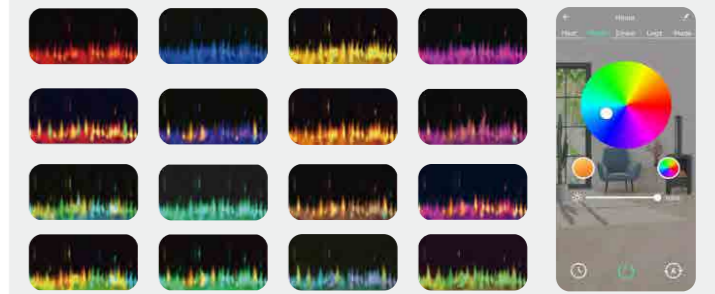


CS UTF28



Multicolour smart electric fireplace

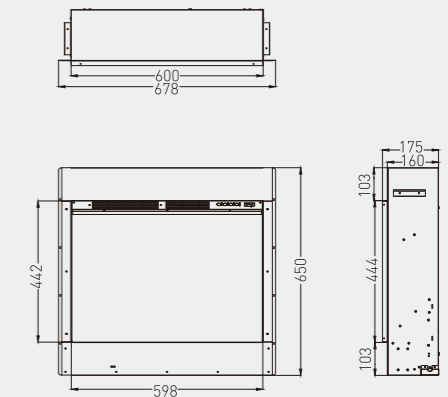
Intelligent Control



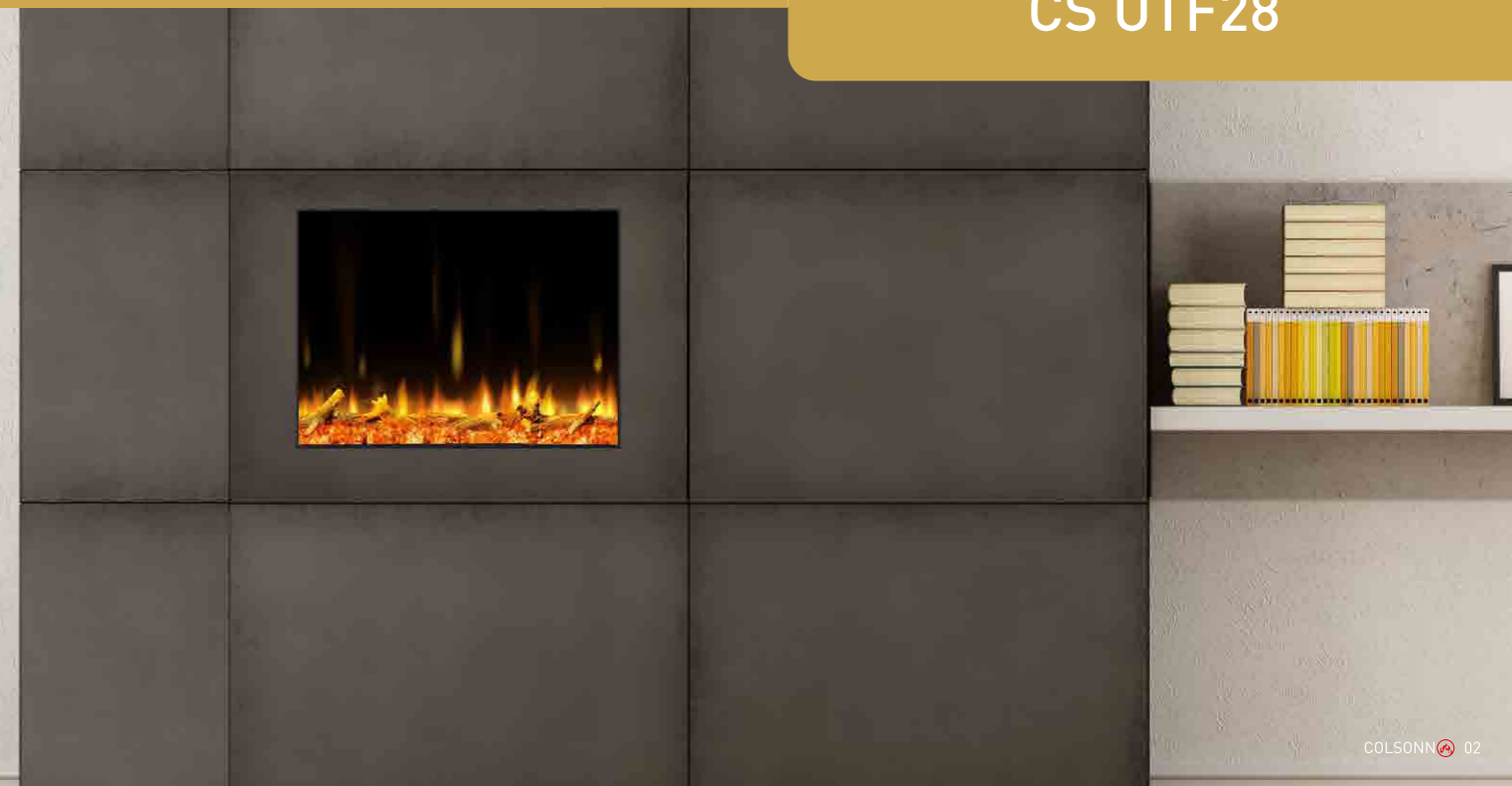
Specification

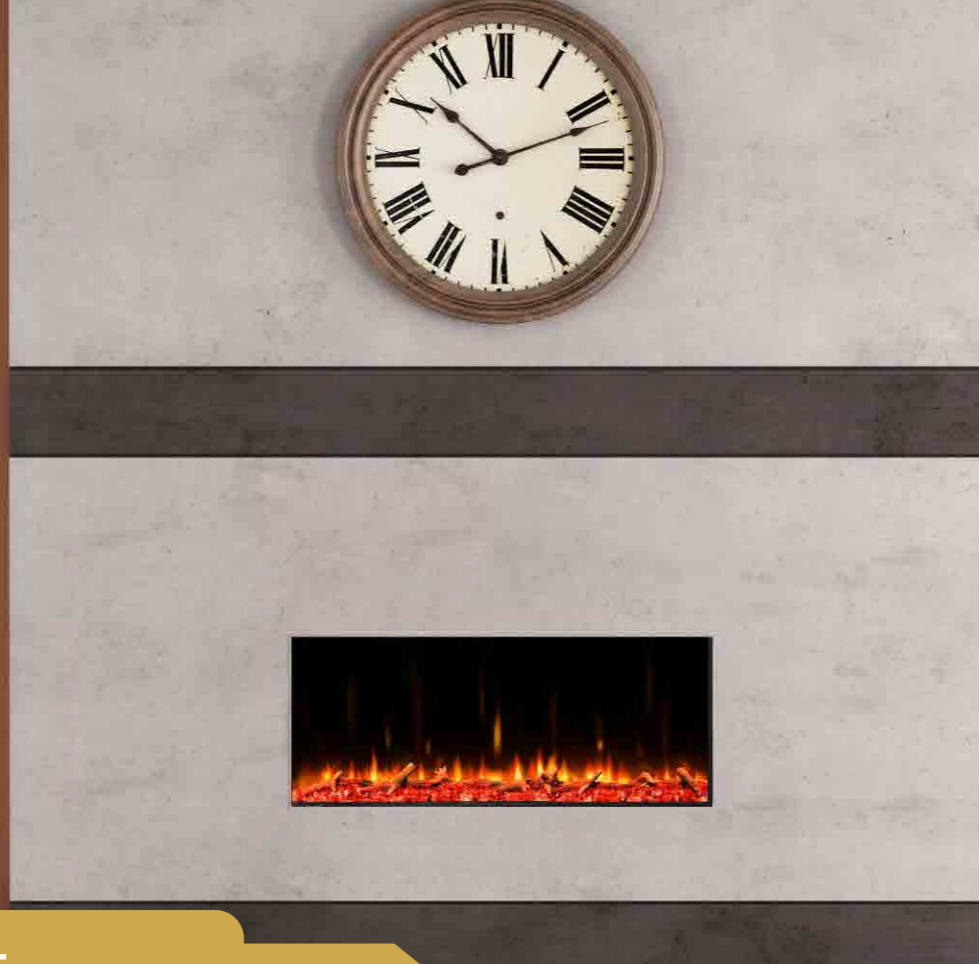
- ⦿ Volts: 120/240, Wattage: 800/1600, Amps: 13
- ⦿ Product Size: W678*D175*H650mm
- ⦿ Safety: Thermal cut out
- ⦿ Realistic 3D flame
- ⦿ Customisable fuel bed layout
- ⦿ Crystal embers & realistic logs
- ⦿ 4 flame brightness settings
- ⦿ Multicolour
- ⦿ Adaptive control feature
- ⦿ WiFi control, remote & manual control operation

Dimensions (mm)



CS UTF28



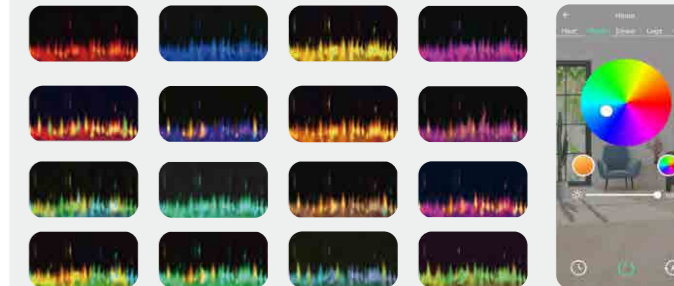


CS UTF50



3D Multicolour smart fireplace

Intelligent Control



CS UTF35

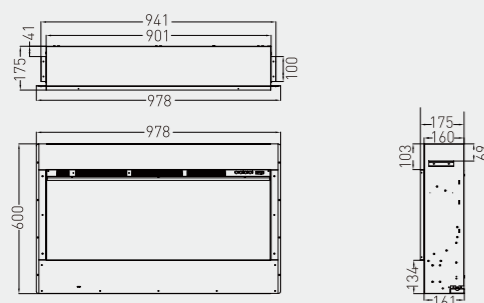


Multicolour smart electric fireplace

Specification

- ⦿ Volts:120/240, Wattage: 800/1600, Amps: 13
- ⦿ Product Size: W978*D175*H600mm
- ⦿ Safety: Thermal cut out
- ⦿ Realistic 3D Flame
- ⦿ Customisable fuel bed layout
- ⦿ Crystal embers & realistic logs
- ⦿ 4 flame brightness settings
- ⦿ Multicolour
- ⦿ Adaptive control feature
- ⦿ WiFi control, remote & manual control operation

Dimensions (mm)



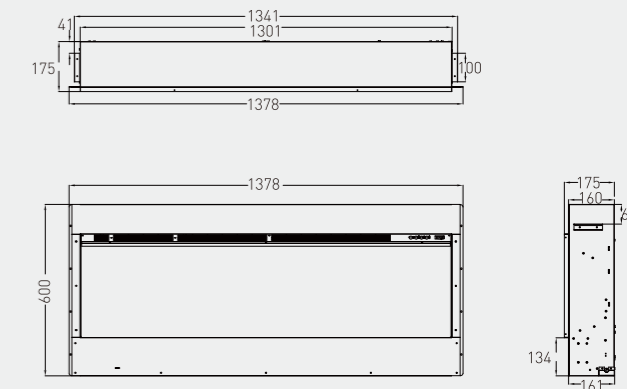
Intelligent Control



Specification

- ⦿ Volts: 120/240, Wattage: 800/1600, Amps: 13
- ⦿ Product Size: W1378*D175*H600mm
- ⦿ Realistic 3D Flame
- ⦿ Safety: Thermal cut out
- ⦿ Extra wide real fire alternative
- ⦿ Customisable fuel bed layout
- ⦿ Crystal embers & realistic logs
- ⦿ 4 flame brightness settings
- ⦿ Multicolour
- ⦿ Adaptive control feature
- ⦿ WiFi control, remote & manual control operation

Dimensions (mm)



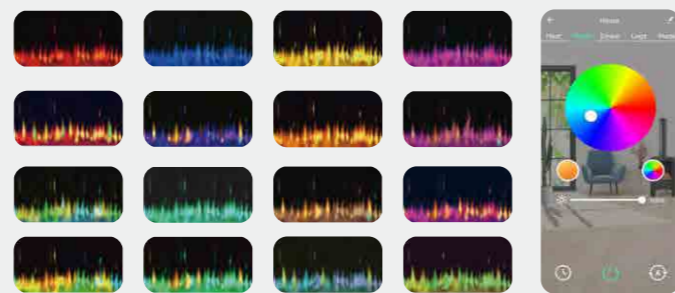


CS UTF63



3D Multicolour smart fireplace

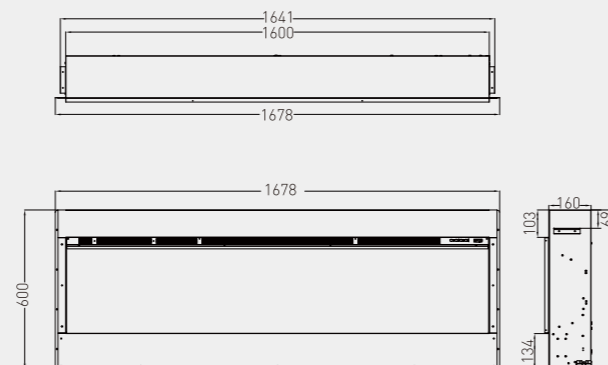
Intelligent Control



Specification

- ⊙ Volts: 120/240, Wattage: 800/1600, Amps: 13
- ⊙ Product Size: W1678*D160*H600mm
- ⊙ Safety: Thermal cut out
- ⊙ Realistic 3D flame
- ⊙ Customisable fuel bed layout
- ⊙ Crystal embers & realistic logs
- ⊙ 4 flame brightness settings
- ⊙ Multicolour
- ⊙ Adaptive control feature
- ⊙ WiFi control, remote & manual control operation

Dimensions (mm)

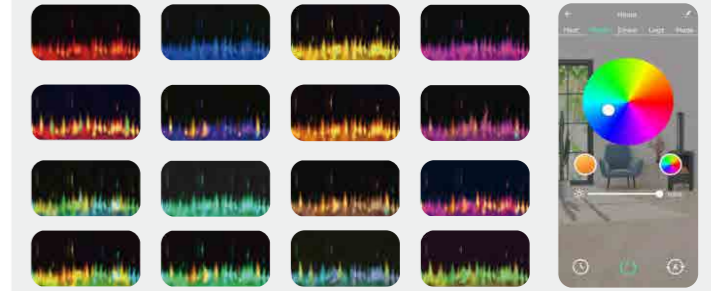


CS UTF75



3D Multicolour smart fireplace

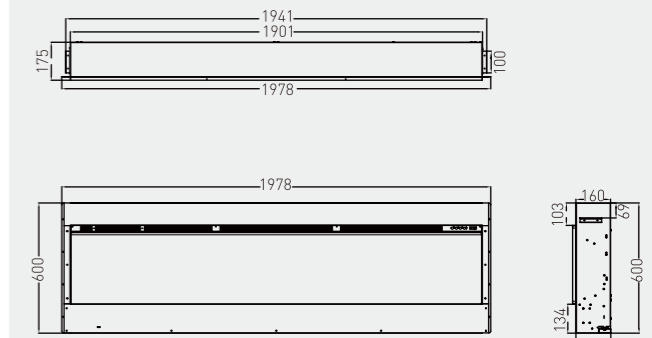
Intelligent Control



Specification

- ⊙ Volts: 120/240, Wattage: 800/1600, Amps: 13
- ⊙ Product Size: W1978*D160*H600mm
- ⊙ Safety: Thermal cut out
- ⊙ Realistic 3D flame
- ⊙ Customisable fuel bed layout
- ⊙ Crystal embers & realistic logs
- ⊙ 4 flame brightness settings
- ⊙ Multicolour
- ⊙ Adaptive control feature
- ⊙ WiFi control, remote & manual control operation

Dimensions (mm)



CS UTF75





CS 3SFPT750



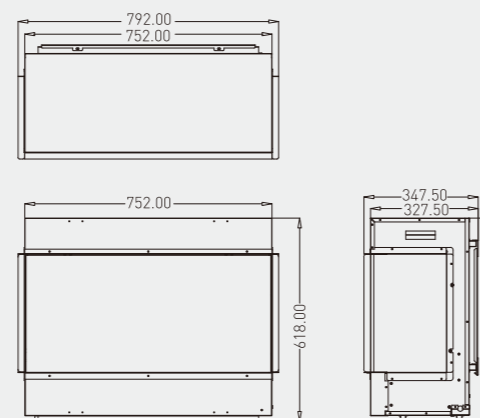
Realistic 3D flame
3 sided multicolour smart fireplace



Specification

- ⊙ Volts:120/240, Wattage: 1000/2000, Amps: 13
- ⊙ Product Size: W792*D347.5*H618mm
- ⊙ Safety: Thermal cut out3 sides of glass viewing area
- ⊙ Realistic 3D flame
- ⊙ Customisable fuel bed layout
- ⊙ Crystal embers & realistic logs
- ⊙ 4 flame brightness settings
- ⊙ Multicolour
- ⊙ Adaptive control feature
- ⊙ WiFi control, remote & manual control operation

Dimensions (mm)

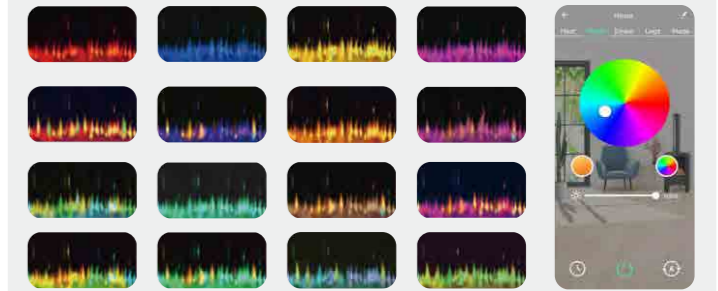


CS 3SFPT1000



Realistic 3D flame
3 sided multicolour smart fireplace

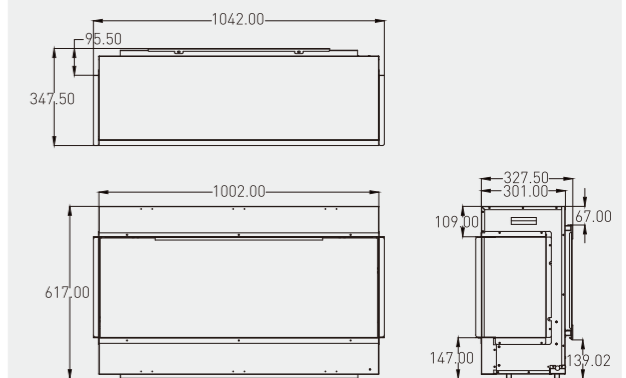
Intelligent Control



Specification

- ⊙ Volts: 120/240, Wattage: 1000/2000, Amps: 13
- ⊙ Product Size: W1042*D327.5*H617mm
- ⊙ Safety: Thermal cut out3 sides of glass viewing area
- ⊙ Realistic 3D flame
- ⊙ Customisable fuel bed layout
- ⊙ Crystal embers & realistic logs
- ⊙ 4 flame brightness settings
- ⊙ Multicolour
- ⊙ Adaptive control feature
- ⊙ WiFi control, remote & manual control operation

Dimensions (mm)



CS 3SFPT1000





CS 3SFPT1300

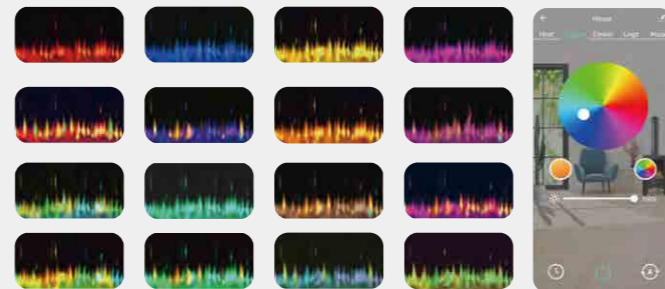


Realistic 3D flame
3 sided multicolour smart fireplace

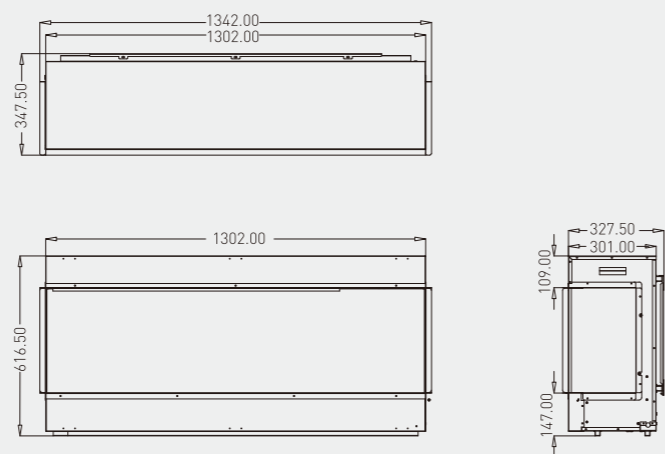
Specification

- ⊙ Volts:120/240, Wattage: 1000/2000, Amps: 13
- ⊙ Product Size: W1342*D327.5*H616.5mm
- ⊙ Safety: Thermal cut out
- ⊙ 3 sides of glass viewing area
- ⊙ Realistic 3D flame
- ⊙ Customisable fuel bed layout
- ⊙ Crystal embers & realistic logs
- ⊙ 4 flame brightness settings
- ⊙ Multicolour
- ⊙ Adaptive control feature
- ⊙ WiFi control, remote & manual control operation

Intelligent Control



Dimensions (mm)



CS 3SFPT1500



Realistic 3D flame
3 sided multicolour smart fireplace

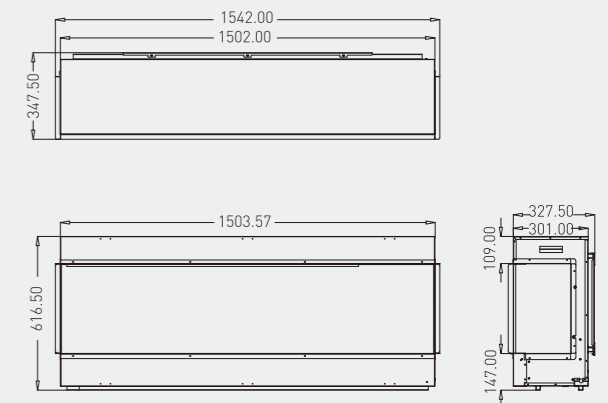
Specification

- ⊙ Volts:120/240, Wattage: 1000/2000, Amps: 13
- ⊙ Product Size: W1542*D327.5*H616.5mm
- ⊙ Safety: Thermal cut out
- ⊙ 3 sides of glass viewing area
- ⊙ Realistic 3D flame
- ⊙ Customisable fuel bed layout
- ⊙ Crystal embers & realistic logs
- ⊙ 4 flame brightness settings
- ⊙ Multicolour
- ⊙ Adaptive control feature
- ⊙ WiFi control, remote & manual control operation

Intelligent Control



Dimensions (mm)



CS 3SFPT1500

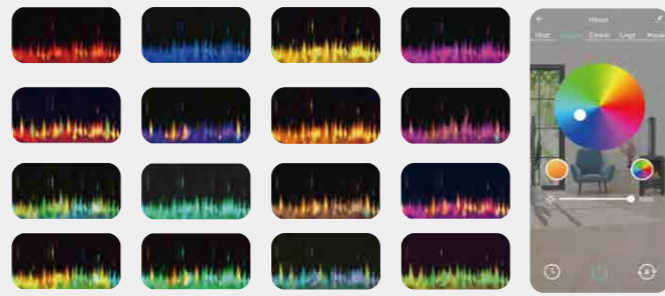


CS 3SFPT1800



Realistic 3D flame
3 sided multicolour smart fireplace

Intelligent Control

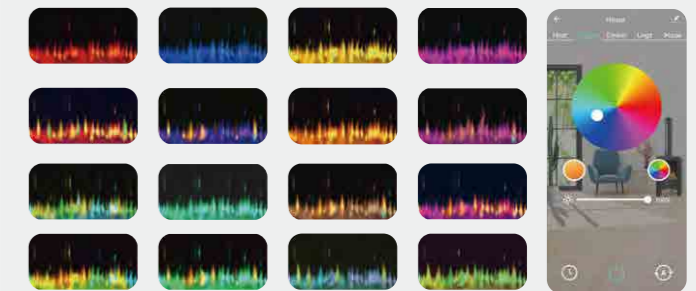


CS CLX60



Realistic 3D flame
multicolour smart fireplace

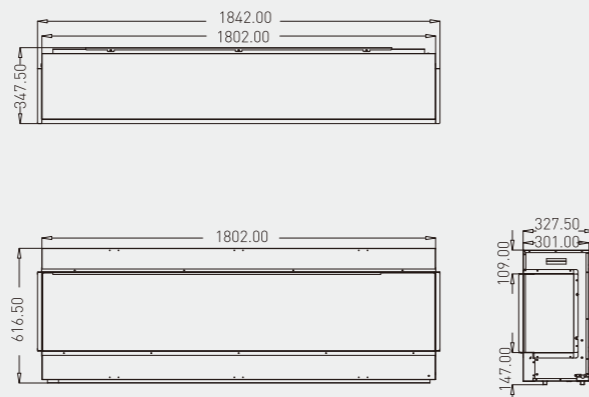
Intelligent Control



Specification

- ⊙ Volts:120/240, Wattage: 1000/2000, Amps: 13
- ⊙ Product Size: W1842*D327.5*H616.5mm
- ⊙ Safety: Thermal cut out
- ⊙ 3 sides of glass viewing area
- ⊙ Realistic 3D flame
- ⊙ Customisable fuel bed layout
- ⊙ Crystal embers & realistic logs
- ⊙ 4 flame brightness settings
- ⊙ Multicolour
- ⊙ Adaptive control feature
- ⊙ WiFi control, remote & manual control operation

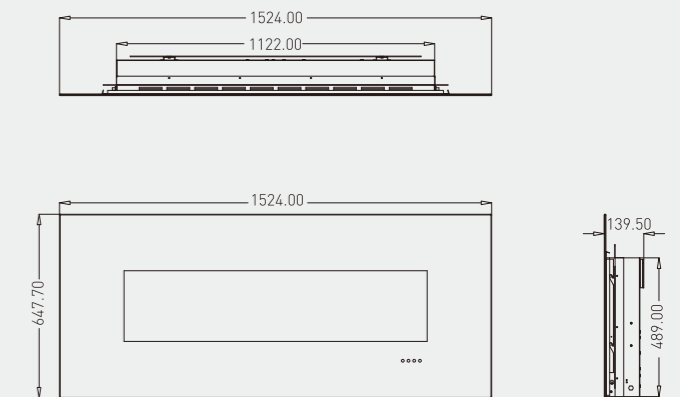
Dimensions (mm)



Specification

- ⊙ Volts:120/240, Wattage: 750/1500, Amps: 13
- ⊙ Product Size: W1524*D139.5*H647.7mm(with black glass)
- ⊙ Safety: Thermal cut out
- ⊙ Realistic 3D flame
- ⊙ Customisable fuel bed layout
- ⊙ Crystal embers & realistic logs
- ⊙ 4 flame brightness settings
- ⊙ Multicolour
- ⊙ Adaptive control feature
- ⊙ WiFi control, remote & manual control operation

Dimensions (mm)



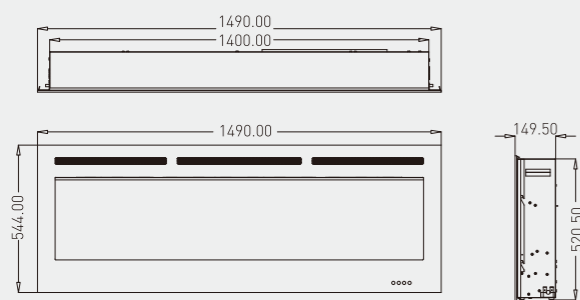


CS GF1400



Realistic 3D flame
multicolour smart fireplace

Dimensions (mm)



Specification

- ⊙ Volts:120/240, Wattage: 1000/2000, Amps: 13
- ⊙ Product Size: W1490*D149.5*H544mm
- ⊙ Safety: Thermal cut out
- ⊙ Virtual Reality
- ⊙ 3 sides of glass viewing area
- ⊙ Realistic 3D flame
- ⊙ Customisable fuel bed layout
- ⊙ Crystal embers & realistic logs
- ⊙ 4 flame brightness settings
- ⊙ Multicolour
- ⊙ Adaptive control feature
- ⊙ WiFi control, remote & manual control operation

Intelligent Control



CS EST540

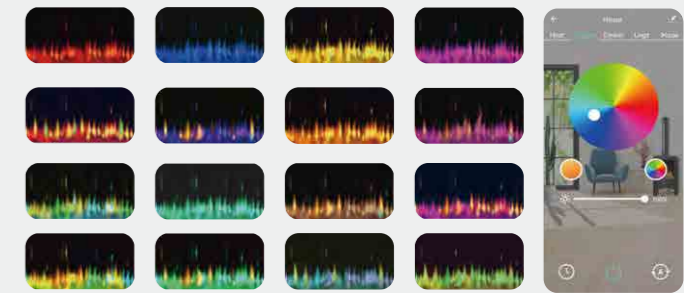


Realistic 3D flame
multicolour smart fireplace

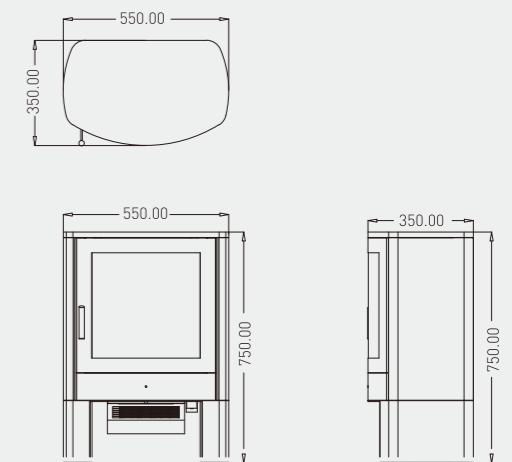
Specification

- ⊙ Volts:120/240, Wattage: 1000/2000, Amps: 13
- ⊙ Product Size: W550*D350*H750mm
- ⊙ Safety: Thermal cut out
- ⊙ Realistic 3D flame
- ⊙ Customisable fuel bed layout
- ⊙ Crystal embers & realistic logs
- ⊙ 4 flame brightness settings
- ⊙ Multicolour
- ⊙ Adaptive control feature
- ⊙ WiFi control, remote & manual control operation

Intelligent Control



Dimensions (mm)



CS EST540



FIREPLACE ACCESSORIES



THE PART 02 FIREPLACE ACCESSORIES

CS EST200



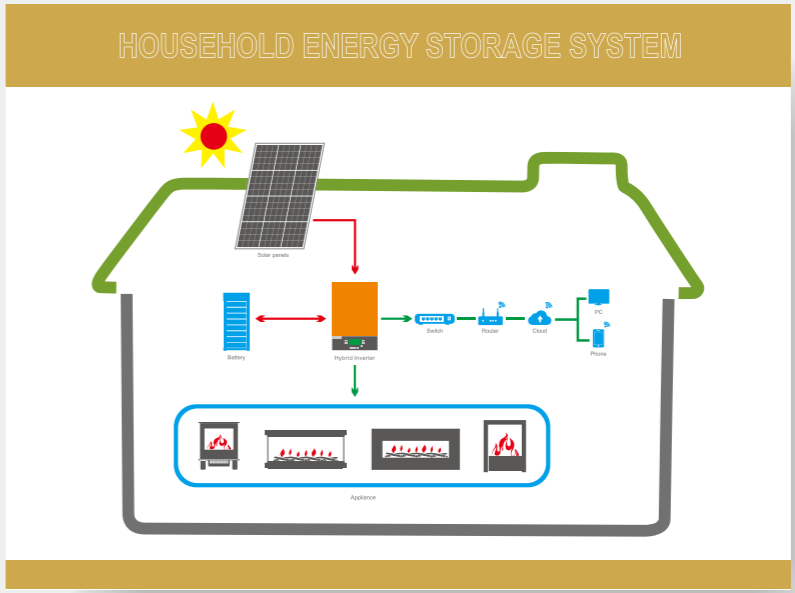
Realistic 3D flame
multicolour smart fireplace

Intelligent Control

Dimensions (mm)

Specification

- ⊙ Volts:120/240, Wattage: 1000/2000, Amps: 13
- ⊙ Product Size: W542.5*D337.35*H601.5mm
- ⊙ Safety: Thermal cut out
- ⊙ Realistic 3D flame
- ⊙ Customisable fuel bed layout
- ⊙ Crystal embers & realistic logs
- ⊙ 4 flame brightness settings
- ⊙ Multicolour
- ⊙ Adaptive control feature
- ⊙ WiFi control, remote & manual control operation





M3000L-S



M2200L-S



Specifications

- ⊙ Rated Power: 3000W, Peak 6000W
- ⊙ Battery Capacity: 48V 60Ah 2880Wh
- ⊙ Battery Type: LiFePO4
- ⊙ AC Input: AC 1600W max
- ⊙ MPPT Input: 12V-80V 8.6A 650W
- ⊙ AC Output(x2): 100V-120V 60Hz or 200V-240V 50Hz
- ⊙ DC Output(x2): 12V/8A
- ⊙ Cigar port output: 12V/10A
- ⊙ QC 3.0 Output(x4): 5V/3A, 9V/2A, 12V/1.5A
- ⊙ Type C Output(x2): PD 100W: 5V/3A, 9V/3A, 12V/3A, 15V/3A, 20V/5A
- ⊙ G.W.: About 34.5KG
- ⊙ Size: L466*W300*H369mm



Specifications

- ⊙ Rated Power: 2200W, Peak 4500W
- ⊙ Battery Capacity: 48V 45AH 2160WH
- ⊙ Battery Type: LiFePO4
- ⊙ AC Input: AC 1600W max
- ⊙ MPPT Input: 12V-80V-8.6A max, 650W max
- ⊙ AC Output: 100V-120V-60Hz or 200V-240V-50Hz
- ⊙ DC Output(x2): 12V/8A
- ⊙ Cigar port output: 12V/10A
- ⊙ QC 3.0 Output(x4): 5V/3A, 9V/2A, 12V/1.5A
- ⊙ Type C Output(x2): PD 100W: 5V/3A, 9V/3A, 12V/3A, 15V/3A, 20V/5A
- ⊙ G.W.: About 23KG
- ⊙ Size: L466*W300*H310mm





M1200L-S



Specifications

- ⊙ Rated Power: 1000W, Peak 2000W
- ⊙ Battery Capacity: 22.4V 45000mAh 1008Wh
- ⊙ Battery Type: LiFePO4 Batteries
- ⊙ Charge Input:
 - DC Input: CC/CV 25.5V/8A 200W max
 - Anderson Input: 12V-30V 8A Max 200W max
- ⊙ AC Input: AC 600W max
- ⊙ AC Output: 100~120V 60Hz or 220V~240V 50Hz
- ⊙ USB Output: 5V/2.4A
- ⊙ QC 3.0 Output: 5V/3A, 9V/2A, 12V/1.5A
- ⊙ DC Output: 12V/8A
- ⊙ Cigar Port Output: 12V/10A max
- ⊙ Type C Output 1: PD 100W: 5V/3A, 9V/3A, 12V/3A, 15V/3A, 20V/5A
- ⊙ Type C Output 2: PD 18W: 5V/3A, 9V/2A, 12V/1.5A
- ⊙ G.W.: About 17.3KG
- ⊙ Size: L365*W235*H300mm



D2400L-S



Specifications

- ⊙ Rated Power: 2400W, Peak 4800W
- ⊙ Battery Capacity: 48V 40Ah 1920Wh
- ⊙ Battery Type: LiFePO4
- ⊙ AC Input: 1600W max
- ⊙ XT60 Input(MPPT): 12V-80V 8.6A max, 650W max
- ⊙ AC Output(x2): 230V~50Hz
- ⊙ QC 3.0 Output(x4): 5V/3A, 9V/2A, 12V/1.5A
- ⊙ Type C Output(x2): PD100W: 5V/3A, 9V/3A, 12V/3A, 15V/3A, 20V/5A
- ⊙ DC Output(x2): 12V/8A
- ⊙ Cigarette lighter Output: 12V/10A
- ⊙ G.W.: About 27KG
- ⊙ Size: L473*W271*H278mm





G2000L-S



G1000L-S



Specifications

- ⊙ Rated Power: 2000W, Peak 4000W
- ⊙ Battery Capacity: 22.4V 45Ah 2220Wh
- ⊙ Battery Type: LiFePO4
- ⊙ Anderson Input(MPPT): 12V
- ⊙ AC Output(x2): 230V~50Hz
- ⊙ USB Output(X1): 5V/2.4A
- ⊙ QC 3.0 Output(X2): 5V/3A 9V/2A 12V/1.5A
- ⊙ Type-c Output: PD100W: 5V/3A 9V/3A 12V/3A 15V/3A 20V/3A
- ⊙ DC Output(x2): 12V/8A
- ⊙ Cigarette lighter Output: 12V/10A
- ⊙ G.W.: About 21KG
- ⊙ Size: L320*W230*H320mm



Specifications

- ⊙ Rated Power: 1000W, Peak 2000W
- ⊙ Battery Capacity: 22.4V 45Ah 1008Wh
- ⊙ Battery Type: LiFePO4
- ⊙ AC Input: 600W max
- ⊙ Anderson Input(MPPT): 12V
- ⊙ AC Output(x2): 230V~50Hz
- ⊙ USB Output(X1): 5V/2.4A
- ⊙ QC 3.0 Output(X2): 5V/3A 9V/2A 12V/1.5A
- ⊙ Type-c Output: PD100W: 5V/3A 9V/3A 12V/3A 15V/3A 20V/3A
- ⊙ DC Output(x2): 12V/8A
- ⊙ Cigarette lighter Output: 12V/10A
- ⊙ G.W.: About 14KG
- ⊙ Size: L320*W230*H280mm





M8 Fireplace Accessories



M6 Fireplace Accessories



Technical Specifications

Nominal Voltage	12V (6 cells per unit)
Nominal Capacity(20°C)	
20hour rate(10.6A,10.8V)	265Ah
10hour rate(20.0A,10.8V)	250Ah
5hour rate(35.2A,10.5V)	220Ah
1hour rate(127.6A,9.6V)	159.5Ah
Dimension(mm)	L520 x W267 x H220 x Th225mm
Approx. Weight	62kg
Internal Resistance	2.6mΩ(fully Charged @20°C)
Max.Charge Current	50A
Max.Discharge Current (5s)	1250A
Ambient Temperature	
Discharge	-15-45°C
Charge	-15-45°C
Storage	-15-45°C
Capacity Affected by Temp.(10 hr capacity)	
105% @40°C	
100% @25°C	
85% @0°C	
65% @-15°C	
Self-Discharge @20°C	Approx.3% per month
Charge Voltage @20~25°C	
Float charge voltage	13.6V-13.8V
Equalize Charge Voltage	14.4V-14.9V



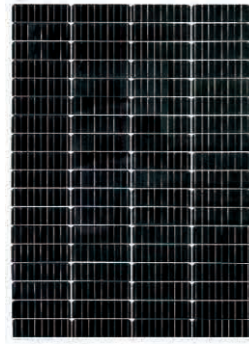
Technical Specifications

Nominal Voltage	12V (6 cells per unit)
Nominal Capacity(20°C)	
20hour rate(3.45A,10.8V)	69Ah
10hour rate(6.5A,10.8V)	65Ah
5hour rate(11.4A,10.5V)	57Ah
1hour rate(41.5A,9.6V)	41.5Ah
Dimension(mm)	L350 x W167 x H176 x Th176mm
Approx. Weight	20kg
Internal Resistance	7.0mΩ(fully Charged @20°C)
Max.Charge Current	16.5A
Max.Discharge Current (5s)	325A
Ambient Temperature	
Discharge	-15-45°C
Charge	-15-45°C
Storage	-15-45°C
Capacity Affected by Temp.(10 hr capacity)	
105% @40°C	
100% @25°C	
85% @0°C	
65% @-15°C	
Self-Discharge @20°C	Approx.3% per month
Charge Voltage @20~25°C	
Float charge voltage	13.6V-13.8V
Equalize Charge Voltage	14.4V-14.9V



200 Watts

MONOCRYSTALLINE SOLAR MODULE



Products features:

- High efficiency cell**
- Strong aluminum alloy frame**
- Standard tolerance** (Guaranteed standard tolerance from -3~+3% ensures power output reliability)
- Excellent weak light performance**
Excellent performance under low light environments (mornings, evenings, and cloudy days)
- Withstand high wind and snow loads**
Entire module certified to withstand high wind loads (2400 Pascal) and snow loads (5400 Pascal)

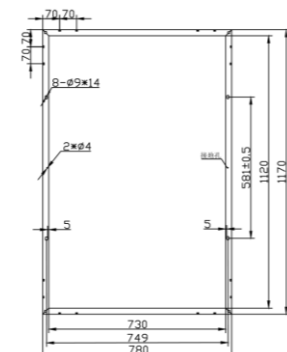
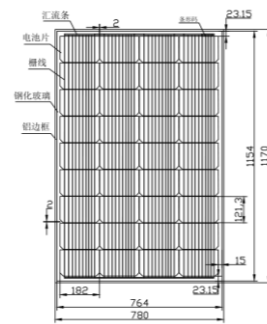
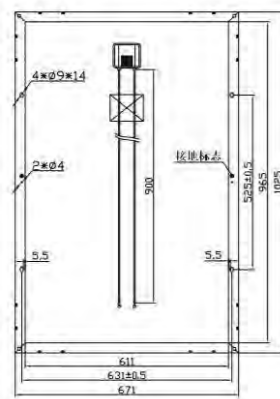
Electrical Characteristics

Model No.	SFM-200W
Maximum Power at STC (Pmax)	200W
Optimum Operating Voltage (Vmp)	18V
Open - Circuit Voltage (Voc)	21.6V
Optimum Operating Current (Imp)	11.11A
Short - Circuit Current (Isc)	12.22A
Maximum System Voltage	1500V
Operating Module Temperature	-40 °C / +85 °C
Diodes	3 by pass
Power Tolerance	-5/+5 %

STC: irradiance 1000 W/m², module temperature 25 °C, AM=1.5; Power measurement

Mechanical Characteristics

Solar Cell	Monocrystalline 182*121.3mm
No. of Cells	36(4*9)
Dimensions	1170*780*30mm
Weight	9.5Kgs
Front Glass	3.2 mm (0.13 inches) tempered glass



40 Watts

MONOCRYSTALLINE SOLAR MODULE



Products features:

- High efficiency cell**
- Strong aluminum alloy frame**
- Standard tolerance** (Guaranteed standard tolerance from -3~+3% ensures power output reliability)
- Excellent weak light performance**
Excellent performance under low light environments (mornings, evenings, and cloudy days)
- Withstand high wind and snow loads**
Entire module certified to withstand high wind loads (2400 Pascal) and snow loads (5400 Pascal)

Electrical Characteristics

Model No.	SFM-40
Maximum Power at STC (Pmax)	40W
Optimum Operating Voltage (Vmp)	18V
Open - Circuit Voltage (Voc)	21.6V
Optimum Operating Current (Imp)	2.20A
Short - Circuit Current (Isc)	2.44A
Cell Efficiency	18%
Operating Module Temperature	-40 °C to +85 °C
Maximum System Voltage	1000V DC (IEC) / 600V DC (UL)
Power Tolerance	-3/+3 %

STC: irradiance 1000 W/m², module temperature 25 °C, AM=1.5; Power measurement

Mechanical Characteristics

Solar Cell	Monocrystalline 182*121.3mm
No. of Cells	36(4*9)
Dimensions	540*510*18mm
Weight	3.6Kgs
Front Glass	3.2 mm (0.13 inches) tempered glass
Frame	Anodized aluminum alloy
Junction Box	IP65 rated
Output Cables	TUV NONE
Connectors	RADOX® SOLAR integrated twist locking connectors

Temperature Characteristics

Nominal Operating Cell Temperature (NOCT)	45 ± 2 °C
Temperature Coefficient of Pmax	-0.47%/°C
Temperature Coefficient of Voc	-0.34%/°C
Temperature Coefficient of Isc	0.045%/°C

Packing Configuration

Container	20'GP	40'GP	40'HQ
Pieces per pallet			
Pallets per container			
Pieces per container			

Quality and Safety:

Product warranty:
Singfo Solar modules will last for at least 25 years.
Free from defects in material and workmanship for 5 years.
All the panels passed IEC, TUV standards.

Power warranty:
Maintain more than 90% of minimum rated power for 10 years.
Maintain more than 80% of minimum rated power for 25 years.

80 Watts

MONOCRYSTALLINE SOLAR MODULE



Products features:

- High efficiency cell**
- Strong aluminum alloy frame**
- Standard tolerance** (Guaranteed standard tolerance from -3~+3% ensures power output reliability)
- Excellent weak light performance**
Excellent performance under low light environments (mornings, evenings, and cloudy days)
- Withstand high wind and snow loads**
Entire module certified to withstand high wind loads (2400 Pascal) and snow loads (5400 Pascal)

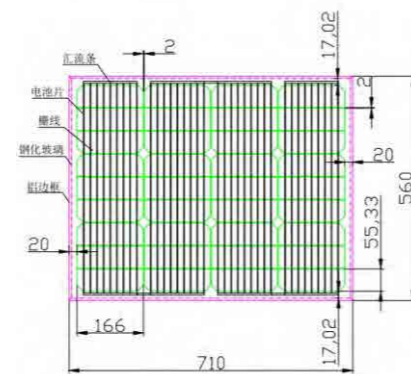
Electrical Characteristics

Model No.	SFM-80W
Maximum Power at STC (Pmax)	80W
Optimum Operating Voltage (Vmp)	18V
Open - Circuit Voltage (Voc)	21.6V
Optimum Operating Current (Imp)	4.44A
Short - Circuit Current (Isc)	4.88A
Maximum System Voltage	1000V
Operating Module Temperature	-40 °C / +85 °C
Work Environment	0 to 100%
Diode	2 by pass
Diodes	-3/+3 %

STC: irradiance 1000 W/m², module temperature 25 °C, AM=1.5; Power measurement

Mechanical Characteristics

Solar Cell	Monocrystalline 166*55.33mm
No. of Cells	36(4*9)
Dimensions	710*560*18mm
Weight	4Kgs
Front Glass	3.2 mm (0.13 inches) tempered glass
Frame	Anodized aluminum alloy
Junction Box	PV-DLC701 rated
Output Cables	TUV not have
Connectors	RADOX® SOLAR integrated twist locking connectors



Temperature Characteristics

Nominal Operating Cell Temperature (NOCT)	45 ± 2 °C
Temperature Coefficient of Pmax	-0.47%/°C
Temperature Coefficient of Voc	-0.34%/°C
Temperature Coefficient of Isc	0.045%/°C

Quality and Safety:

- Product warranty:**
Singfo Solar modules will last for at least 25 years.
Free from defects in material and workmanship for 5 years.
All the panels passed IEC, TUV standards.
- Power warranty:**
Maintain more than 90% of minimum rated power for 10 years.
Maintain more than 80% of minimum rated power for 25 years.

100 Watts

MONOCRYSTALLINE SOLAR MODULE



Products features:

- High efficiency cell**
- Strong aluminum alloy frame**
- Standard tolerance** (Guaranteed standard tolerance from -3~+3% ensures power output reliability)
- Excellent weak light performance**
Excellent performance under low light environments (mornings, evenings, and cloudy days)
- Withstand high wind and snow loads**
Entire module certified to withstand high wind loads (2400 Pascal) and snow loads (5400 Pascal)

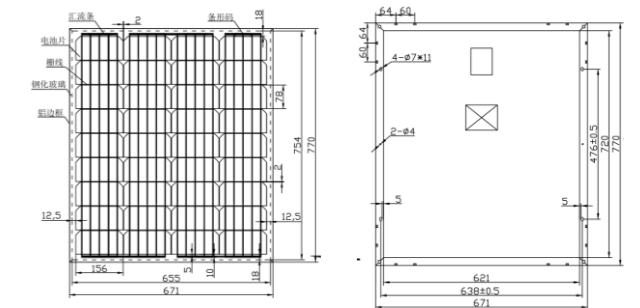
Electrical Characteristics

Model No.	SFM-100W
Maximum Power at STC (Pmax)	100W
Optimum Operating Voltage (Vmp)	18V
Open - Circuit Voltage (Voc)	21.6V
Optimum Operating Current (Imp)	5.56A
Short - Circuit Current (Isc)	6.11A
Maximum System Voltage	1000V
Operating Module Temperature	-40 °C / +85 °C
Diodes	2 by pass
Power Tolerance	-3/+3 %

STC: irradiance 1000 W/m², module temperature 25 °C, AM=1.5; Power measurement

Mechanical Characteristics

Solar Cell	Monocrystalline 156*78mm
No. of Cells	36(4*9)
Dimensions	770*671*25mm
Weight	5.5Kgs
Front Glass	3.2 mm (0.13 inches) tempered glass
Frame	Anodized aluminum alloy
Junction Box	Ip65 rated
Output Cables	TUV 2.5mm2(0.10 inches2),symmetrical lengths(-)900mm (35.4 inches)and(+)900mm(35.4inches)
Connectors	RADOX® SOLAR integrated twist locking connectors



Temperature Characteristics

Nominal Operating Cell Temperature (NOCT)	45 ± 2 °C
Temperature Coefficient of Pmax	-0.47%/°C
Temperature Coefficient of Voc	-0.34%/°C
Temperature Coefficient of Isc	0.045%/°C

Quality and Safety: :

- Product warranty:**
Singfo Solar modules will last for at least 25 years.
Free from defects in material and workmanship for 5 years.
All the panels passed IEC, TUV standards.
- Power warranty:**
Maintain more than 90% of minimum rated power for 10 years.
Maintain more than 80% of minimum rated power for 25 years.

100 Watts

Single crystal silicon flexible solar panel



Power Parameter

One. Specification Representation	
Rated power [Pmax]	100W
Power Error	±5%
Nominal Voltage	18V
Service Life	5 years

Two. Material

Single crystal foldable solar panel

Three. Specification parameter

Optimum power [Pmax]	100w
Operating voltage [Vmp]	17.6V
Operating current [Imp]	5.5A±0.5A
Short-circuit current [Isc]	6.25A
Open circuit voltage [Voc]	21.12VDC
Temperature coefficient voltage	(0.065±0.015)%/°C
Temperature coefficient current	-(160±10)mA/°C
Temperature coefficient power	-(0.5±0.05)%/°C
Maximum system voltage	1000V

Four. Mechanical characteristics

size: 1200mm*540mm*2mm

Cell type: Monocrystalline silicon battery cells 158.75*158.78mm

Unfolded Size: 1885*360*5mm

Unfolded Size: 325*360*50mm

conversion rate: 22%

Packaging method: The surface is packaged with frosted PET composite film

Bag material: 900D,PVC

Bag color: black

Wire and connectors: With junction box (2 USB ports and 1 DC port),

16 red and black wires, 1.5 meters long, with DC at both ends

Five

Physical picture

100 Watts

Single crystal silicon flexible solar panel



Power Parameter

One. Specification Representation	
Rated power [Pmax]	100W
Power Error	±5%
Nominal Voltage	18V
Service Life	5 years

Two. Material

Etfе Black single crystal solar flexible panel

Three. Specification parameter

Optimum power [Pmax]	100w
Operating voltage [Vmp]	18±0.1V
Operating current [Imp]	5.5A±0.5A
Short-circuit current [Isc]	6.04A±0.5A
Open circuit voltage [Voc]	21.6V±0.8V
Temperature coefficient voltage	(0.065±0.015)%/°C
Temperature coefficient current	-(160±10)mA/°C
Temperature coefficient power	-(0.5±0.05)%/°C
Maximum system voltage	1000V

Four. Mechanical characteristics

size: 1200mm*540mm*2mm

Cell type: 125 CHAMFERED SINGLE CRYSTAL CELL

conversion rate: 20.3%

Five

Physical picture